

Coventry

BATHROOMS.co.uk



***Bathrooms made
Affordable***

Designed Correctly

***Professionally &
Correctly Fitted***

Youtube



Summer 2024

info@coventrybathrooms.co.uk

www.coventrybathrooms.co.uk

Tel 07 550 003 003



Bathrooms Made Simple

Get an Instant Quote

Call us or visit our showroom and provide us with the width, length and height of your bathroom, if the bathroom has a concrete floor, if you require a thermostatic or electric shower and if the skip can go on your land or if a permit will be needed for the skip. We will then provide you with a fully supplied and fitted quote for your bathroom.

Quote Online

You can also get this price directly from our Quote page on our website. Visit our website and input your bathroom measurements and get an instant quote.

Fixed Price Quote

The quote we provide is for the bathroom completely supplied and fitted and there are no extra costs to pay. Choose from a great selection of close coupled toilets, pedestal basins, taps, baths, shower trays, shower enclosures, wall and floor tiles all included in the price given.

Extras

You may choose to add items such as electrics, ceiling lights, extractor fan, shaver socket, vanity unit, storage, wall cabinet, changing the towel warmer to a different design. These items will add to the cost of the quote we have provided. Some of these items along with any extra costs are shown in this brochure and in the showroom.

Before we start the work we will carry out a site inspection to confirm the details provided are correct and confirm the quote.

Lowest Price Guaranteed

At Coventry Bathrooms we guarantee that our prices will be at least £1,500 lower for a fully supplied and fitted bathroom, ensuite or shower room than any other bathroom showroom in Coventry for a like for like quotation.

Modern Business Model

Our business model is different to the traditional business model that operates by buying and selling products at an increased price to make money. We are part of the new E-business model which reduces the running costs of a business by using the resources of its suppliers which saves money. These savings are passed directly to our customers.

HOW OUR E BUSINESS WORKS

- We have no sales staff
- The showroom is open Saturday. Monday to Friday by appointment only
- We do not make money on bathroom products or tiles
- We work closely with our suppliers and use their warehouses, staff and delivery drivers as if they were our own
- We have no money tied up in stock. All bathroom products and tiles are ordered when the bathroom renovation begins
- We have no delivery drivers as the products are delivered only once, directly from the supplier to your home
- Loyalty to a smaller amount of suppliers helps us receive higher discounts. You benefit from our trade discounts which we pass on to you
- Using a selection of products gives the bathroom fitter experience with a pool of products, helping to save time on the installation.



Fitted Bathroom

Only
£6000

Only
£6000

Quadrant Shower Room



Walk In Shower Room

Only
£6000

Only
£6400

Mobility Bathroom



Offer includes removing old bathroom suite and tiles. Supplying and fitting bathroom suite, taps, shower, towel warmer, wall and floor tiles. All plumbing, labour & tiling. Removal of all waste materials.

Price for room size (w)2m x (d)1.7m by (h)2.4m

** Electrical work or electric shower is not included*

Products and price may change without notice. Check online or in store for up to date price and product information.

BATHROOM OFFERS

A Bath, Quadrant or Walk In Shower Enclosure plus all of the following items are included in the price



Get a Quote

Provide the length, width and height of your bathroom and we will be able to price you instantly. We do this as pricing bathrooms is easy. A bathroom renovation price is based on the size of the room. Size dictates the time it will take to renovate the bathroom and the materials needed to do so.

The total cost for your bathroom is time and materials.
(Time + Materials) = Bathroom Price

Included within the price

You get to choose from a large selection of products all at exactly the same price. Bath Quadrant Shower / Walk in Shower, Any Close Coupled Toilet, Any Pedestal Basin, Any Basin Tap, Any Bath Filler Tap, Any Wall and Floor Tile.

(Storage or vanity basins and electrical work will change the price. The prices are shown in this brochure).

Fitted Bathroom Sale price

Length & Width	Perimeter	Price
2m by 1.7m	7.4 meters	£6,000
2.2m by 1.7m	7.8 meters	£6,300
2.4m by 1.7m	8.2 meters	£6,800
2.6m by 1.7m	8.6 meters	£7,200
2.8m by 1.7m	9 meters	£8,500
3m by 1.7m	9.4 meters	£8,700
3m by 2m	10 meters	£9,000

Extra Items

Select the required items from below and add it to the bathroom price and you have your quote.

Bathroom Extra Costs		
Upgrade shower enclosure from 6mm to 8mm glass	add	£250
L Shaped shower bath	add	£150
Mobility bathroom with seat and grab rails	add	£400
Bathroom with bath and separate shower enclosure	add	£1,200
Bathroom has concrete floor and requires self levelling	add	£300
Skip Extra Costs		
Skip on your land	add	£0
Skip on public land requiring permit	add	£50
Add Storage		
Vanity basin with storage	add	£150 - £500
Mirror / Mirror cabinet	add	£80 - £200
Extra Electrical Work		
Replace existing electric shower	add	£170
Replace electric shower with thermostatic shower	add	£30
3 Led ceiling lights	add	£150
4 Led ceiling lights	add	£200
Centre ceiling light	add	£100
Extractor fan	add	£150
Add over run to extractor fan	add	£50
Shaver socket - tooth brush charger	add	£100
Replace light pull chord	add	£30
Change pull chord to wall light switch	add	£50
Fit power supply for electric towel warmer	add	£100
Isolate each electric item	add	£30

Design to Install

From measuring your bathroom, designing your new bathroom or shower room and providing a free no obligation quotation. Arranging the bathroom products, tiles, skip, parts. Finally fitting, plumbing and tiling your bathroom or shower room.



Coventry Bathrooms are a one stop shop.

Waste Materials

A skip will be onsite and all waste will be correctly disposed of or recycled.



Carpet Protection

We cover the walk ways between the entrance of the home to the bathroom, including the stairs with a plastic carpet protector. It protects the carpet from dust and dirt. When we have completed the bathroom, we remove the carpet protector and vacuum the area.



8 to 10 Days to refit a Bathroom

Because of Covid and accessing materials it takes between 8 to 10 days to refit a standard sized bathroom. In some instances it may take longer, though we will do all that we can to complete the bathroom in the quickest possible time.



The Team

All work is carried out by professional and more importantly, experienced bathroom fitters, plumbers, tilers and electricians.



Richard



Lee



James



Sean



Peggy



Nick

Carrying out the work - Stages

After the quote has been agreed and the start date given, these are the steps that then take place:

We order the bathroom products, tiles and skip and request that you pay our suppliers directly for them. These payments can be made by credit or debit card on the phone. These amounts are deducted from your bathroom price.

The fitter will require a payment to cover miscellaneous materials (this figure would have been agreed at the start of the job).

We take delivery of the bathroom products and tiles at your home.

On completion, you pay the balance.

Electrical work



In accordance with present regulations, if any electrical work is carried out in your bathroom, the consumer unit circuit to the bathroom must have 30mA rcd protection. Your water and gas services must have a main bond (must be correctly earthed). If the house does not meet these regulations, work would need to be carried out to meet them prior to any other electric work being carried out. This will be confirmed before any work is carried out.

We do not add electrical work to the package price as each person chooses a different selection of electrical products. Electrical work will be charged separately by the electrician.

LED Ceiling Lights

3 Led ceiling down lights supplied and fitted £150

4 Led ceiling down lights supplied and fitted £200

Center ceiling light £100



Extractor fan

Bathroom extractor fan supplied and fitted £150



Icon modern extractor fan supplied and fitted £200



Wall Mounted Light Switch

Convert pull cord to wall switch

Dual wall switch for fan and light £50

Replace light switch pull chord £30

Shaver socket supplied and fitted £80

Isolate Redundant Electrics £30



10mm cable for shower installation from the consumer unit to the bathroom £400

Quadrant Shower Tray



Modern Quadrant Shower
Scratch and impact resistant
Tough, resilient and easy to clean
Available in 800mm and 900mm

Offset Quadrant Shower Tray

Available in
900mm * 760mm
1000mm * 800mm
1200mm * 800mm



Square & Rectangular Trays



Available in a range of sizes
from 760mm square
to 1700mm x 800mm
and sizes in between

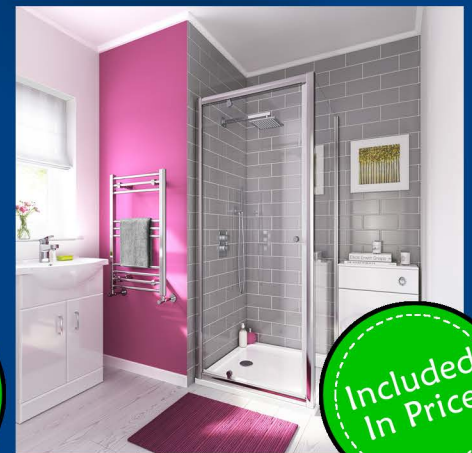
Shower Enclosures



800mm * 1000mm
800mm * 1200mm



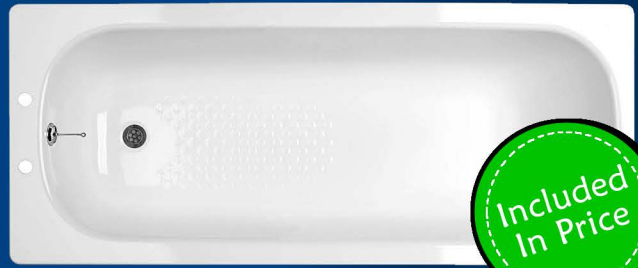
800mm * 1000mm
800mm * 1200mm



800mm * 800mm
900mm * 900mm

Straight Baths

Single ended bath



Included
In Price

P Shaped Shower Baths

P Shaped Shower Bath with hinged shower screen with handle/towel rail. Left or Right hand



Included
In Price

L Shaped Shower Baths

L Shaped Shower Bath with hinged or fixed shower screen. Left and Right hand



Add
£150

Walk In Showers

Wall to wall Easy Access walk in showers with fixed shower screen

1200mm to 1700mm length available

700mm or 800mm wide available



Included
In Price

Toilet and Basin Sets



Included
In Price



Included
In Price

Open
Rim

Toilet and Basin



Included
In Price



Included
In Price



Included
In Price



Included
In Price



Included
In Price



Included
In Price

50cm and 60cm vanity units



Add
£200



Add
£200



Add
£200

Back to wall WC unit 50cm



Add
£200



Add
£200



Add
£200

Water Proof 50cm & 60cm



Add
£250



Add
£250

Water proof
bathroom furniture,
ideal for busy family
and small bathrooms

Products and price may change without notice. Check online or in store for up to date price and product information.

Combined Basin and Toilet



Add
£400



Add
£400



Add
£400



Add
£400



Add
£400



Add
£400



Add
£400



Add
£600



Add
£600

Products and price may change without notice. Check online or in store for up to date price and product information.

Vanity Storage Solutions



Add
£150



Add
£100



Add
£100



Add
£300



Add
£300



Add
£240



Add
£150



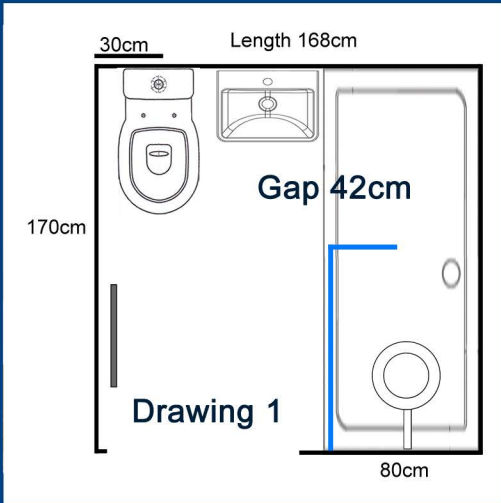
Add
£400



Add
£500

Products and price may change without notice. Check online or in store for up to date price and product information.

Smaller Bathrooms



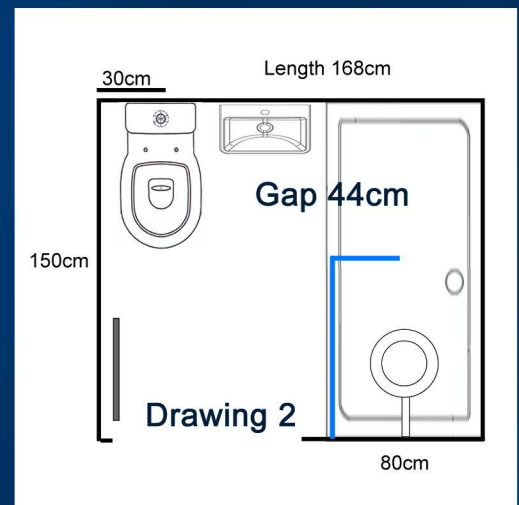
This bathroom is a small bathroom measuring 170cm long by 168cm wide. If the centre of the toilet is 30cm or less from the radiator wall then a 45cm vanity unit would fit in this space.



Add
£150

This vanity unit is 45cm wide by 32cm deep. With a bathroom measuring 170cm long, the walk in fixed shower panel 90cm with a return panel of 4cm totalling 94cm, there would be roughly 42cm entrance space into the shower area.

This vanity unit is 40cm wide by 22cm deep. With a bathroom measuring 150cm long, the walk in fixed shower panel 80cm with a return panel of 4cm totalling 84cm, there would be roughly 44cm entrance space into the shower area.



Add
£100

Vanity Basin
400mm by 220mm

Vanity Basin
420mm by 295mm



Add
£100

Showers



Included
In Price

Exposed Thermostatic Shower
200mm Round Head Fixed
Second Shower Head - Hand Held
Cool to Touch



Add
£450

Triton Safeguard
With Grab Rail
Remote On/Off
Rating 8.5kW



Add
£170

Triton Aspirante
Electric Shower In various
colour finishes.
Rating 8.5kW or 9.5kW

Towel Warmers



Included
In Price

Standard



Add
£200

Ienna



Add
£200

Cygnus

Towel Warmers available in a selection of widths, heights and BTU outputs.

Basin Taps Included in Price

Larger selection of basin and bath taps at our showroom.



Bath Taps Included in Price

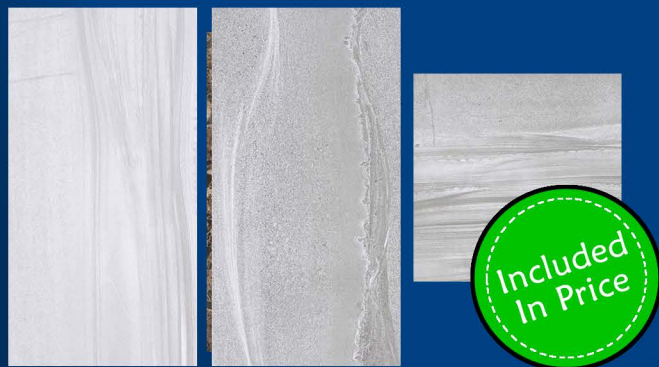
Each basin tap has a matching bath filler.



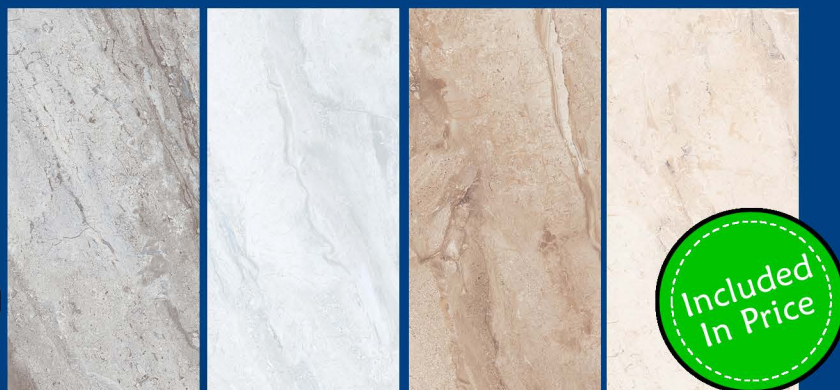
Tiles on Display in the Showroom

Bathroom quotes include a choice of any floor and wall tile.

Stone Mix



Helena



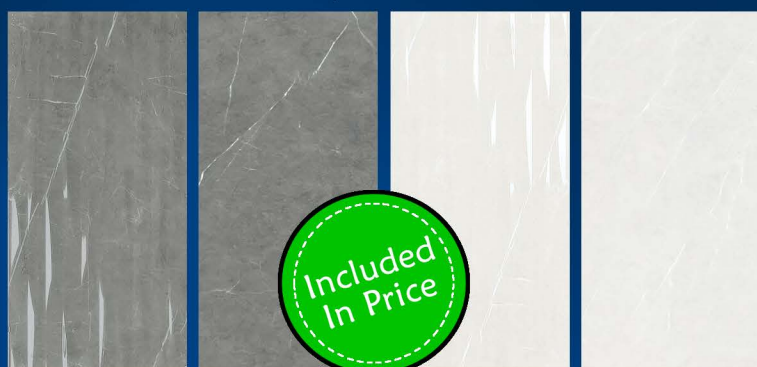
Split Face



Carrara



Roma



Nairobi



Sunset



Matt Travertine



Marble Effect



Uptown



Infinity



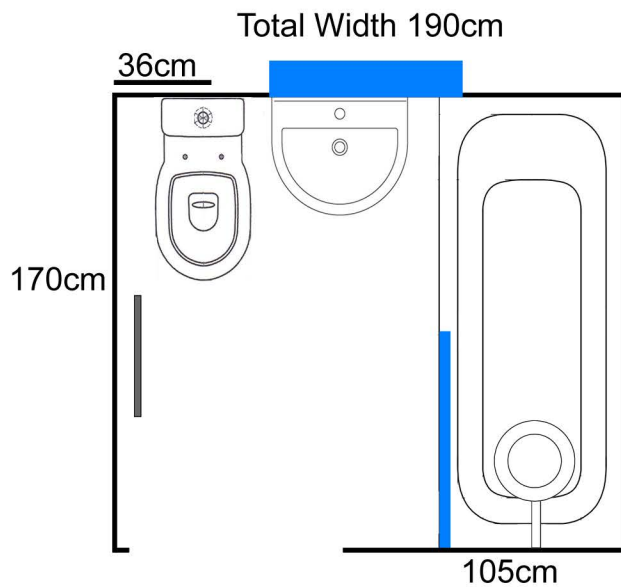
Other Floor Tiles



Wood Effect

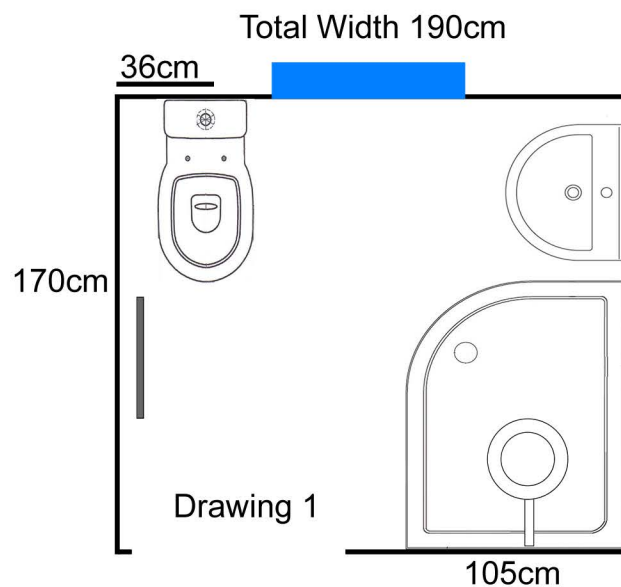


Convert Bathroom to Shower Room



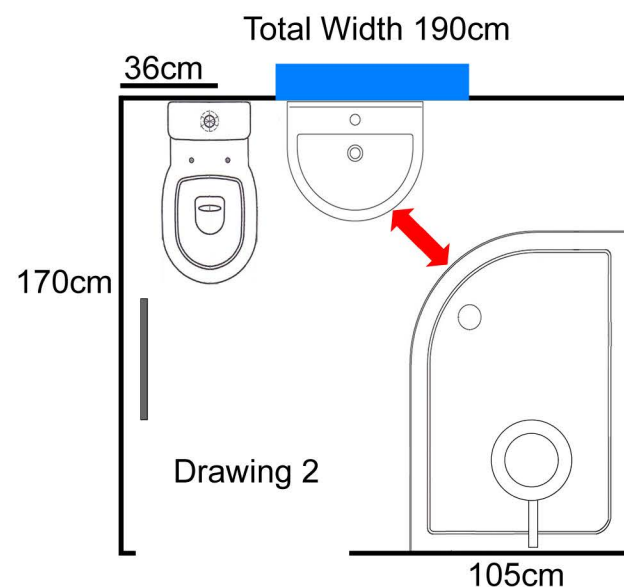
Normal Bathroom

This is a standard family bathroom. The size is shown as 190cm wide by 170cm long. The distance between the right hand wall and the door architrave is 105cm.



Drawing 1 right

An 80cm by 100cm shower tray is used and the space created at the end of the shower allows the basin to be relocated.



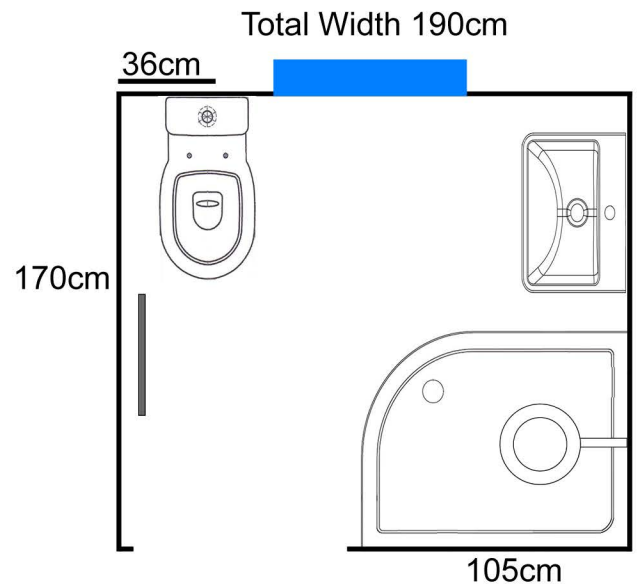
Drawing 2 right

An 80cm by 120cm shower tray is used. There is not enough space created to relocate the basin, so the basin is fitted in the original position. There is not enough space to get in and out of the shower. The shower is too big for this room.

Convert Bathroom to Shower Room

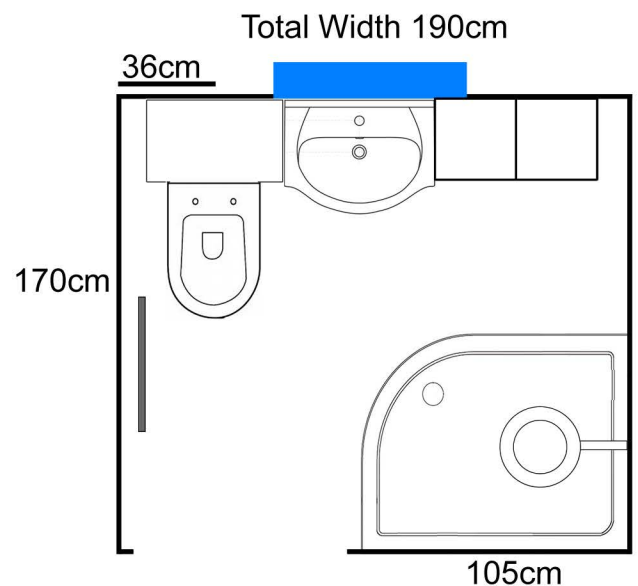
Drawing 3 right

Using the space between the door and the wall, an 80cm by 100cm shower tray is used creating more space in the basin area. A larger vanity basin can be fitted.



Drawing 4 right

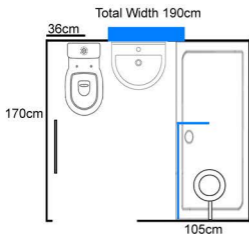
That space can also be used to fit a combined vanity toilet and basin with cupboard units.



The two images above show bathrooms that have been converted to a shower room and fitted with a combined vanity toilet, basin and cupboard units.

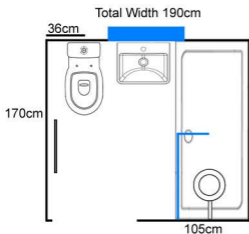
Images are for illustration purposes only and are not to scale.

Convert to Walk In Shower Room



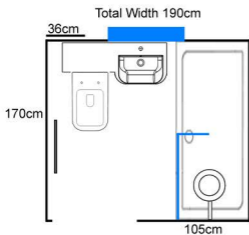
Drawing 1 right

If a normal pedestal basin is used, then the space available for the shower will be smaller. In this case we suggest a 70cm wide shower tray. The shower panel is a fixed panel 90cm long.



Drawing 2 right

The basin has been replaced with a space vanity basin at 50cm wide. However the shower panel is smaller at 80cm long to allow access into the shower.



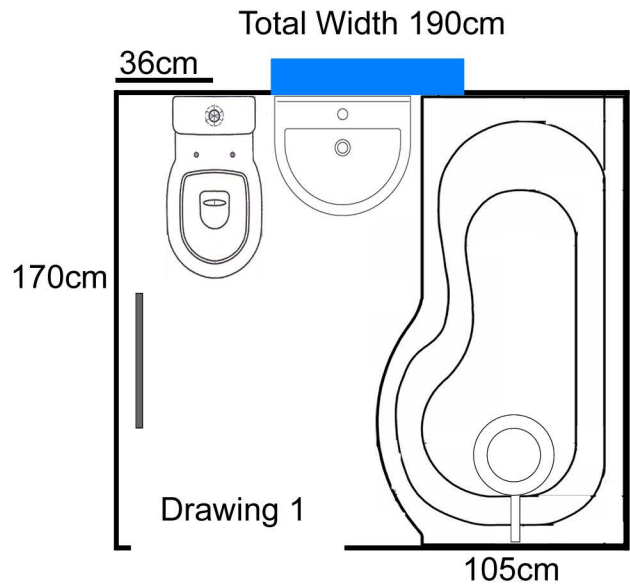
Drawing 3 right

A combined vanity basin toilet unit measuring 100cm can be fitted in this space. However it is possible that your leg will push against the towel rail. This is because the vanity toilet sits futher into the room.

Shower Baths

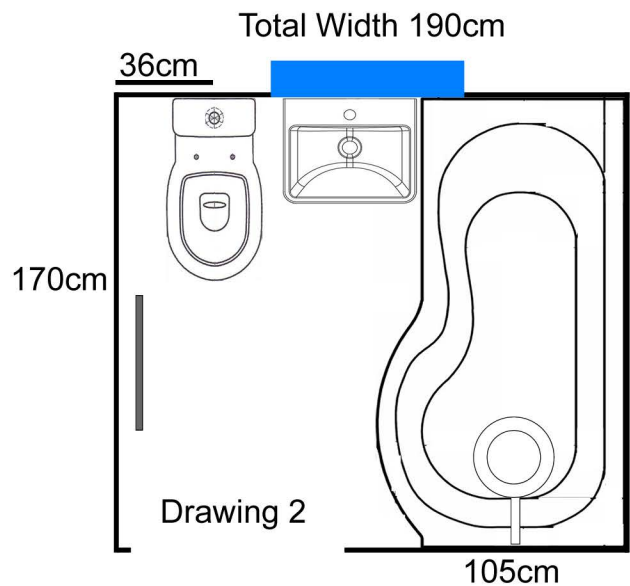
Drawing 1 right

A P-shaped bath is 75cm wide 5cm wider than a standard bath. This reduces the available space for a basin or a vanity basin unit. This drawing shows a pedestal basin.



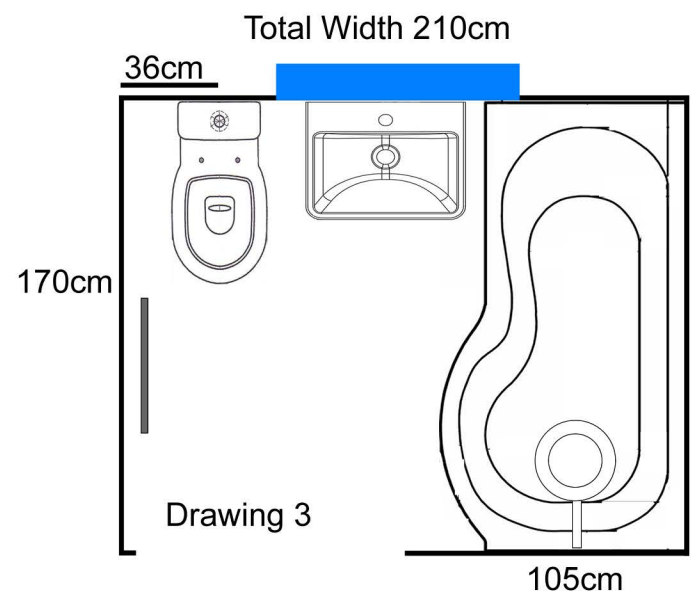
Drawing 2 right

This drawing shows the basin is a vanity basin. Because of the small amount of space available, a space saving vanity basin of 40cm or 50cm is the only size that will fit.



Drawing 3 right

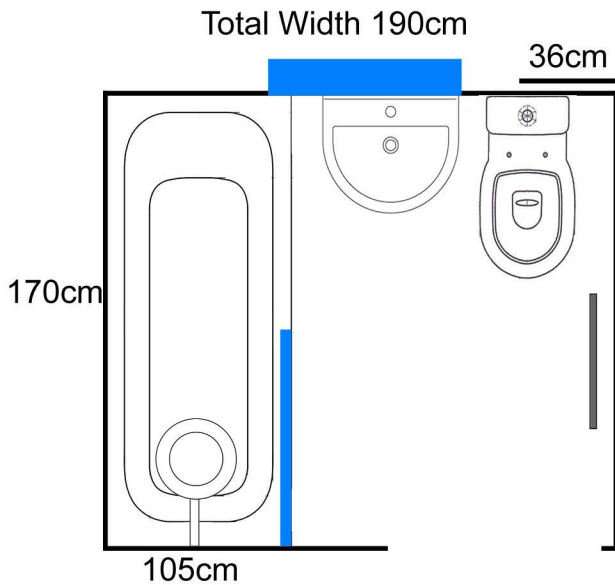
Vanity basins 60cm wide normally will fit in bathrooms that are 210cm or wider. This will allow for correct space around the toilet. This is shown in this drawing.



Convert Bathroom to Shower Room

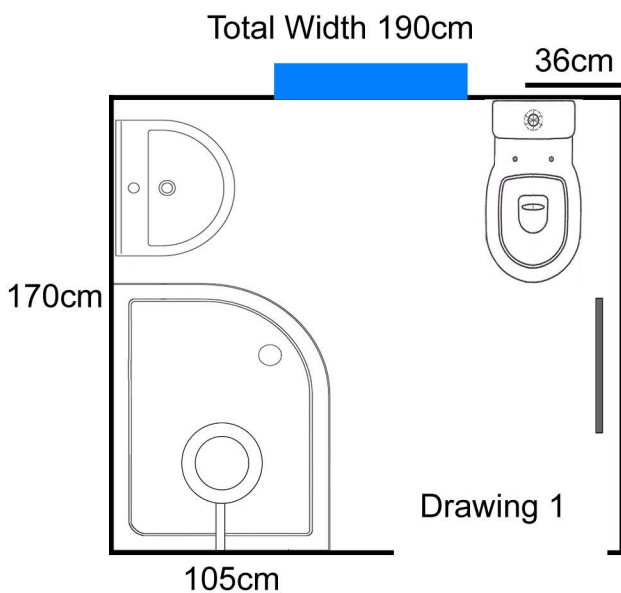
Normal Bathroom

This is a standard family bathroom. The size is shown as 190cm wide by 170cm long. The distance between the right hand wall and the door architrave is 105cm.



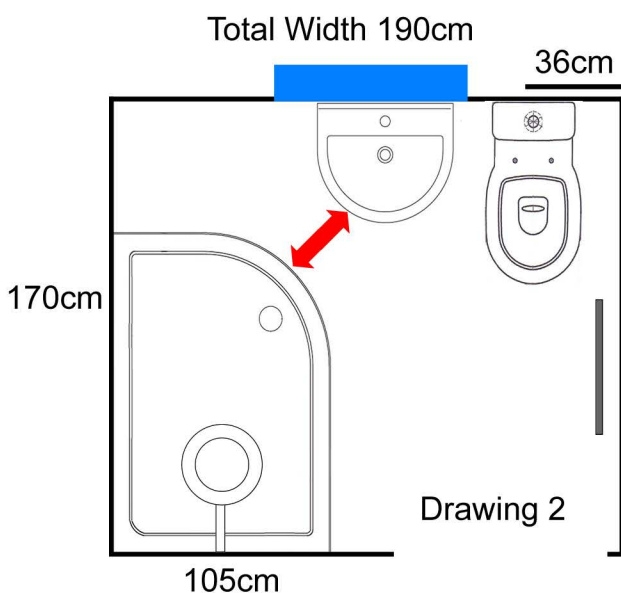
Drawing 1 left

An 80cm by 100cm shower tray is used and the space created at the end of the shower allows the basin to be relocated.



Drawing 2 left

An 80cm by 120cm shower tray is used. There is not enough space created to relocate the basin, so the basin is fitted in the original position. There is not enough space to get in and out of the shower. The shower is too big for this room.

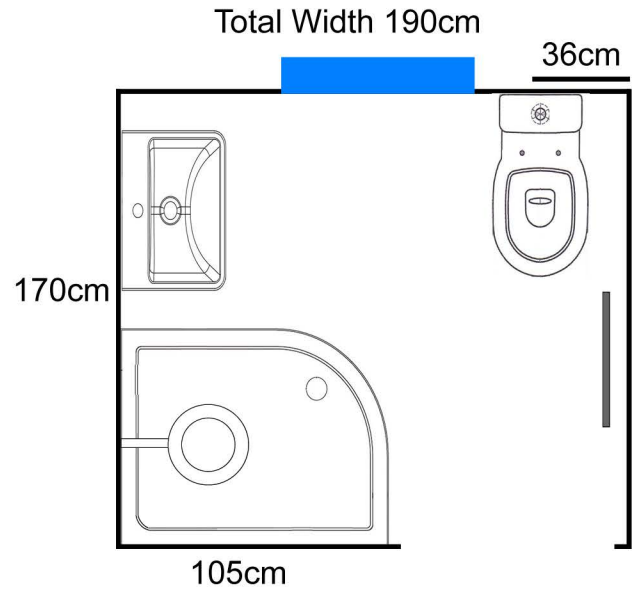


Images are for illustration purposes only and are not to scale.

Convert Bathroom to Shower Room

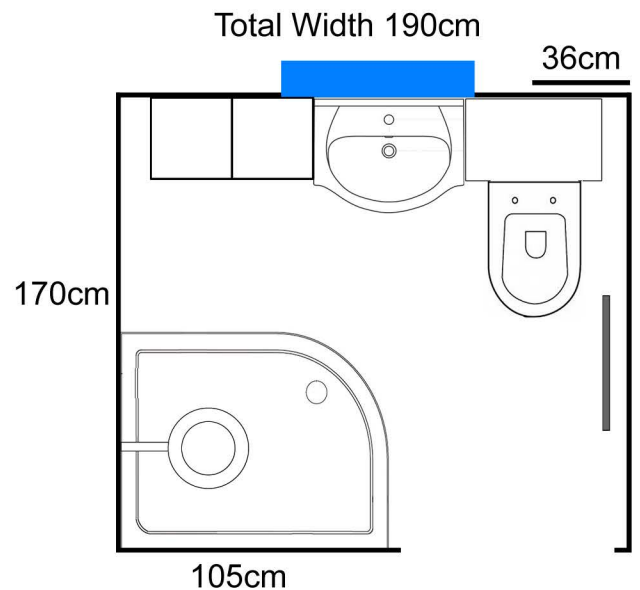
Drawing 3 left

Using the space between the door and the wall, an 80cm by 100cm shower tray is used creating more space in the basin area. A larger vanity basin can be fitted.



Drawing 4 left

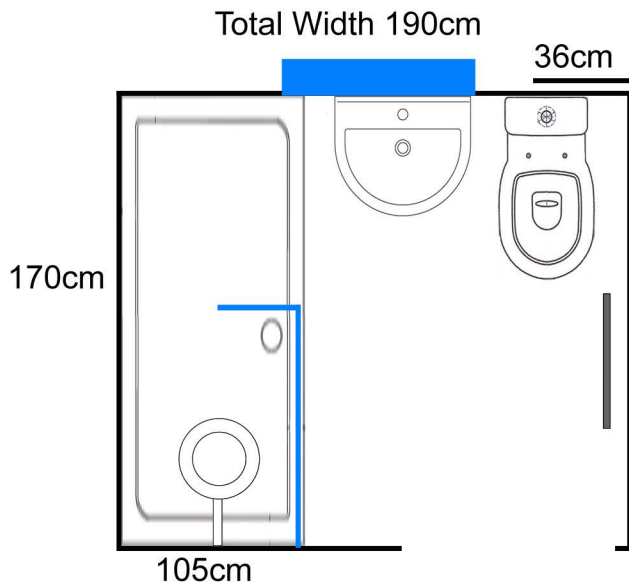
That space can also be used to fit a combined vanity toilet and basin with cupboard units.



The two images above show bathrooms that have been converted to a shower room and fitted with a combined vanity toilet, basin and cupboard units.

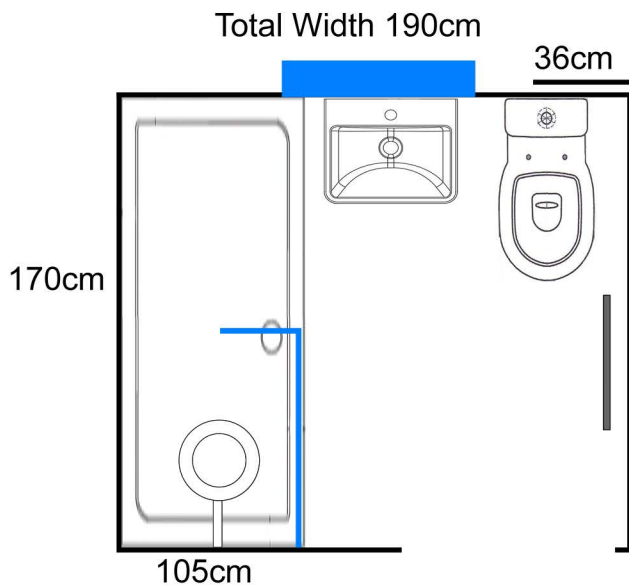
Images are for illustration purposes only and are not to scale.

Convert to Walk In Shower Room



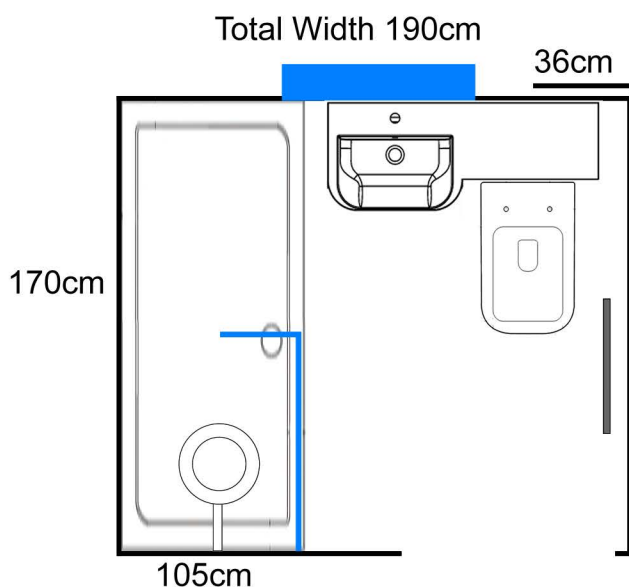
Drawing 1 left

If a normal pedestal basin is used, then the space available for the shower will be smaller. In this case we suggest a 70cm wide shower tray. The shower panel is a fixed panel 90cm long.



Drawing 2 left

The basin has been replaced with a space vanity basin at 50cm wide. However the shower panel is smaller at 80cm long to allow access into the shower.



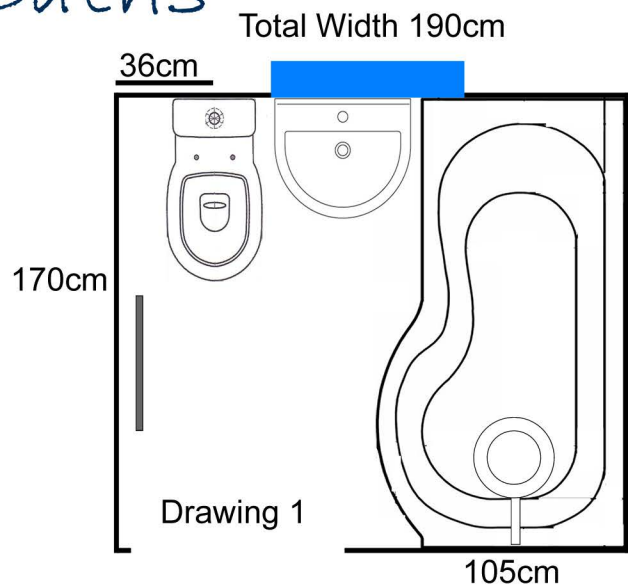
Drawing 3 left

A combined vanity basin toilet unit measuring 100cm can be fitted in this space. However it is possible that your leg will push against the towel rail. This is because the vanity toilet sits futher into the room.

Shower Baths

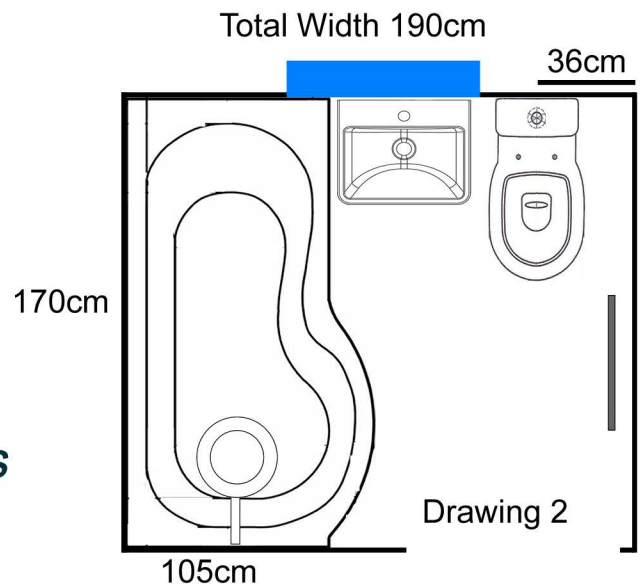
Drawing 1 left

A P-shaped bath is 75cm wide 5cm wider than a standard bath. This reduces the available space for a basin or a vanity basin unit. This drawing shows a pedestal basin.



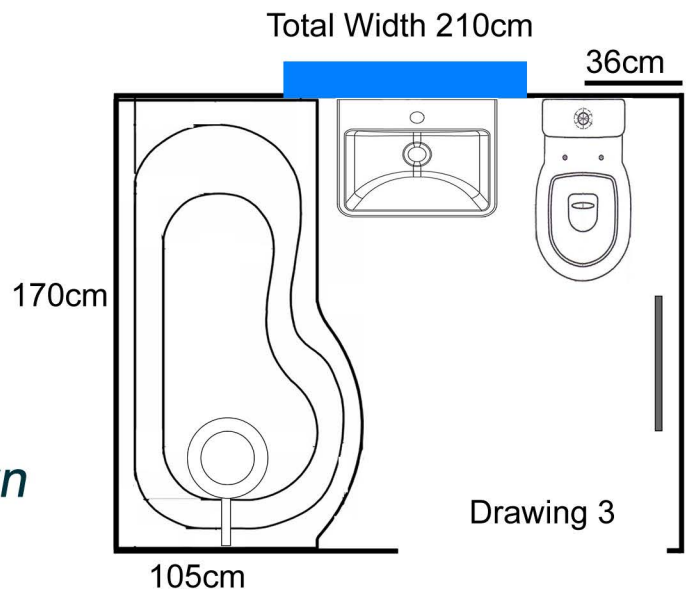
Drawing 2

This drawing shows the basin is a vanity basin. Because of the small amount of space available, a space saving vanity basin of 40cm or 50cm is the only size that will fit.



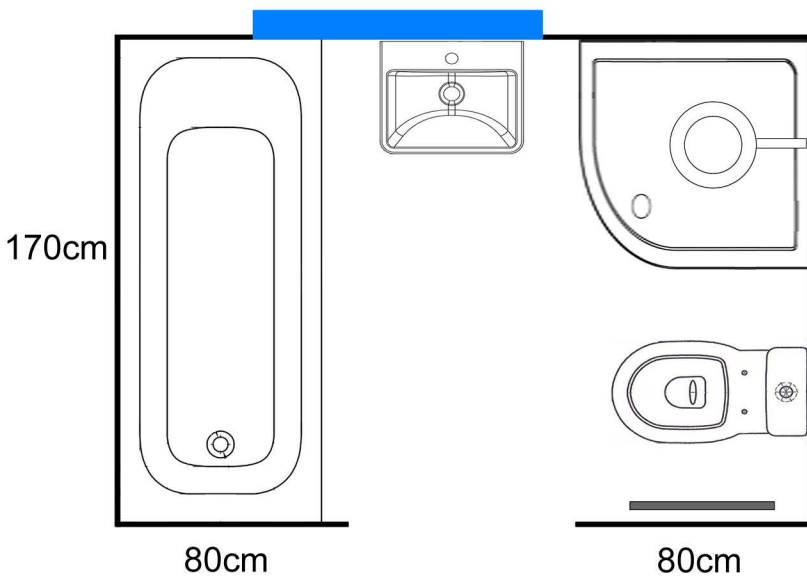
Drawing 3

Vanity basins 60cm wide normally will fit in bathrooms that are 210cm or wider. This will allow for correct space around the toilet. This is shown in this drawing.



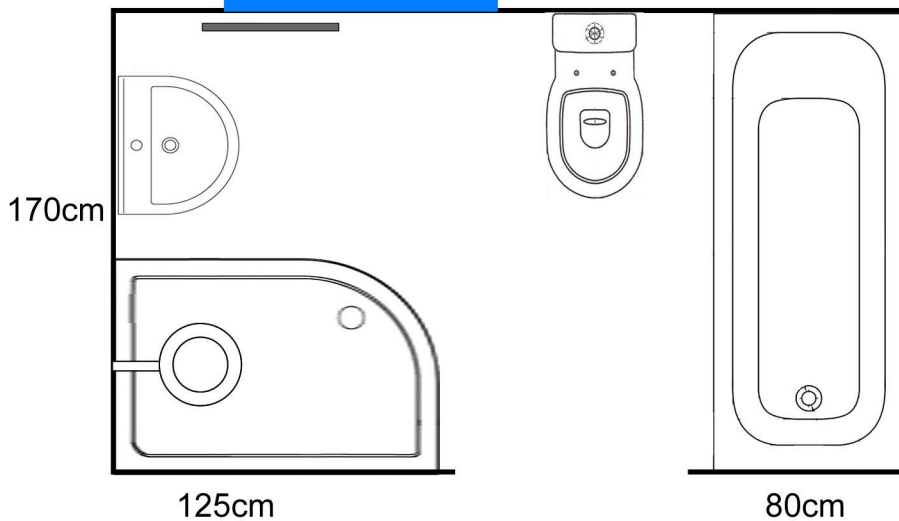
changing the Layout

Total Width 240cm



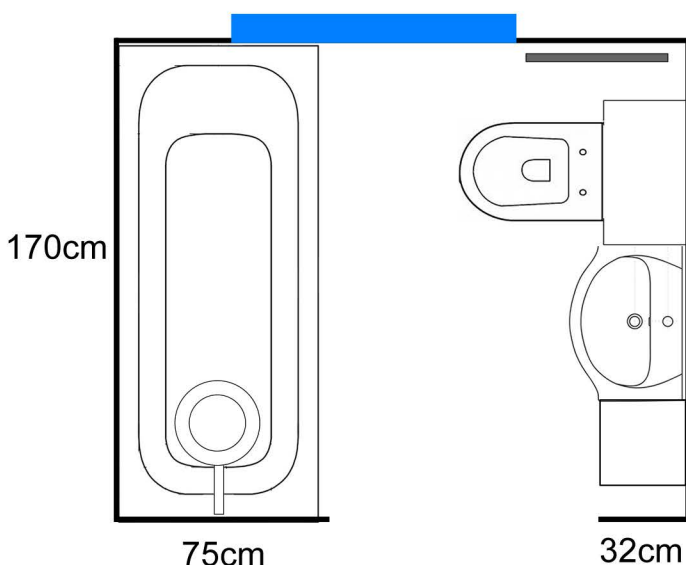
Bath and Shower
A bathroom measuring 240cm by 170cm is large enough to fit both a bath and separate shower enclosure.

Total Width 290cm



Bath and Shower
This bathroom has a large shower enclosure measuring 120cm long. The bathroom is 290cm long.

Total Width 200cm

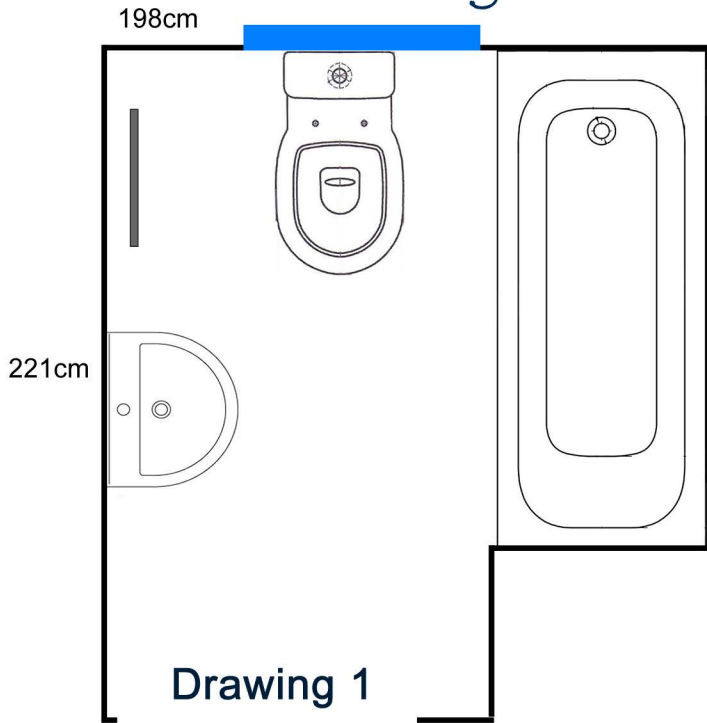


Basin opposite the Bath
It is possible to change the orientation of the basin and toilet to the opposite wall to the bath. Though there needs to be sufficient space between the wall and door of 32cm or more.

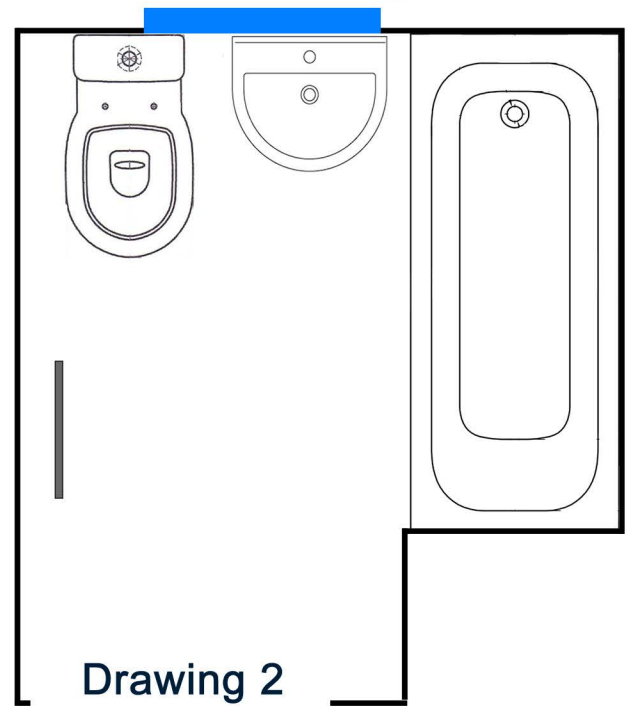
Bathroom with airing cupboard

This is a bathroom in a newly built home. The bathroom is attached to an airing cupboard. The airing cupboard is at the end of the bath. The basin can be opposite the bath or next to the toilet.

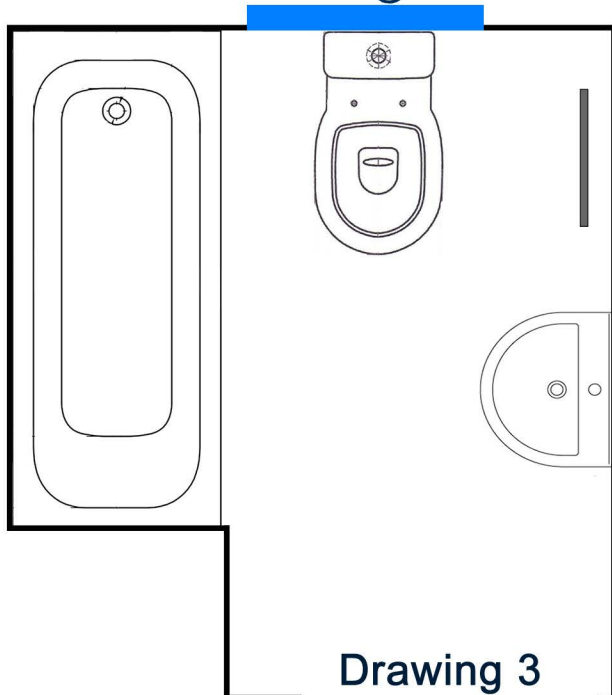
Drawing 1



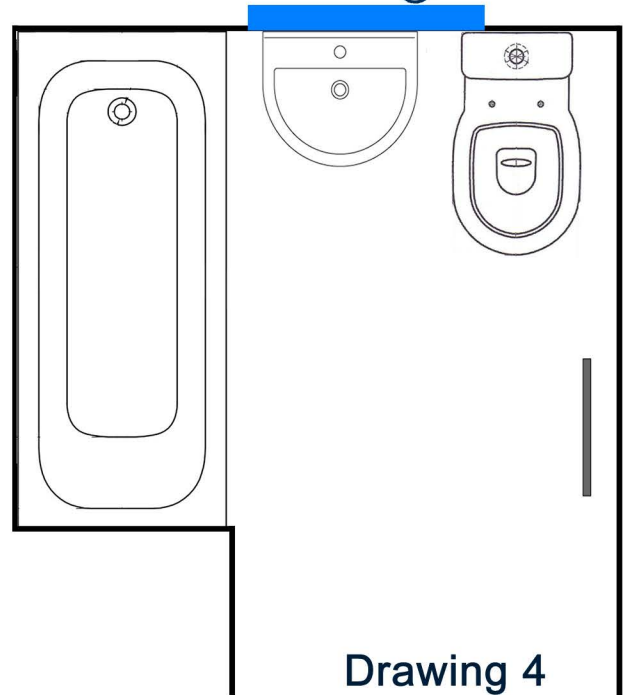
Drawing 2



Drawing 3



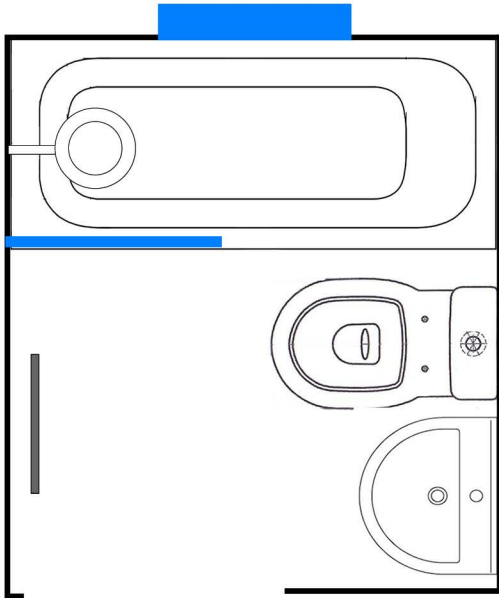
Drawing 4



Images are for illustration purposes only and are not to scale.

Bath Under the window

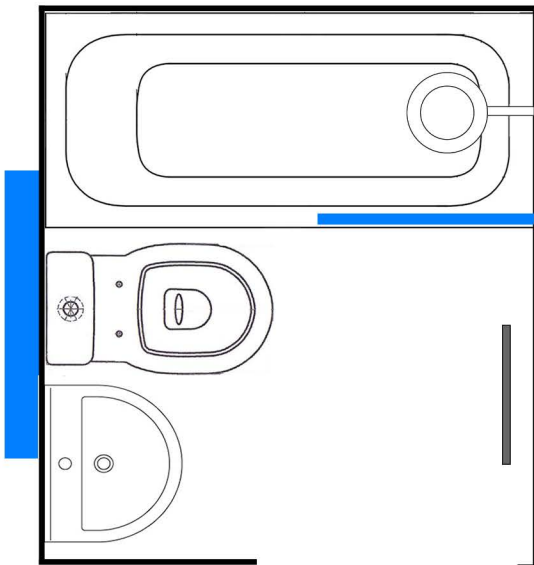
Total Width 160cm



Drawing 1

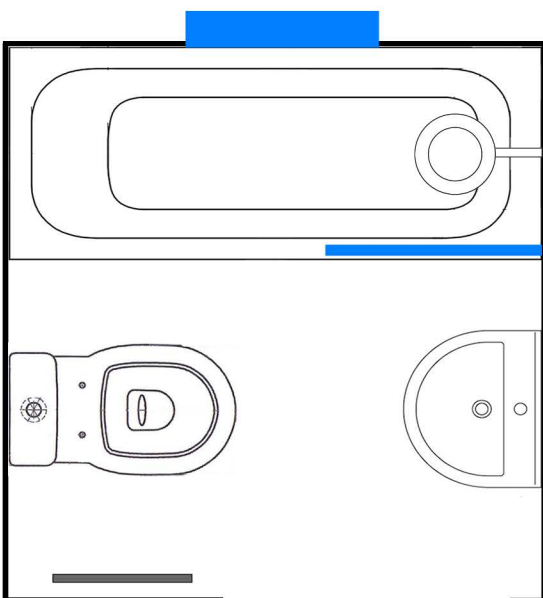
If the bathroom is 160cm wide and 170cm long, a better use of the space can be achieved by fitting a 160cm bath under the window and fitting the toilet and basin on the 170cm wall, creating a larger space for the toilet and basin.

Total Width 160cm



Drawing 2

Showing the bathroom with the bath fitted under the window and the toilet and basin on the left hand wall.



Drawing 3

A bathroom with the bath fitted under the window. The toilet and basin are fitted on opposite walls.

Images are for illustration purposes only and are not to scale.